

TECHNICAL DATASHEET: YH119A1

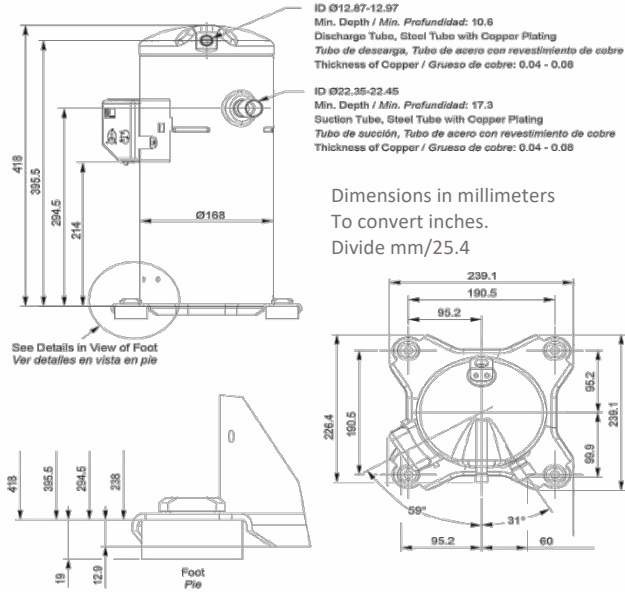
Archivo	Revisión	Elaboro	Hoja
YH119A1_TDS	03/2023	RGE	1

TEST CONDITION AHRI-540-2020 HIGH TEMPERATURE/AIR CONDITINING/CHILLERS						REFRIGERANT	ELECTRIC SUPPLY	TOLERANCE
Units	Te	Tc	SH	SC	Tret.	R-22	208-230V /3PH/50-60Hz	± 10%
Imperial °F	45	130	20	15	65			

NOMINAL TEST CONDITION PARAMETERS	Value	Imperial	Value	International	Comments
Frigorific potency	49110	Btuh	14,402	Watt	
Instant energy consumption	4246	Watt	4,246	Watt	
Efficiency BTUh/W (EER) W/W (COP)	11.57	Btuh/W	3.36	W/W	
Nominal current consumption	6.37	A	6.37	A	
Nominal Displacement	4.03	In/Rev	66.1	Cm³/Rev.	
Total heat rejection	63,589	Btuh	16,688	Watt	

Mechanical data	
Displacement at 3500 RPM	6.11 CFM
Commercial Horsepower	4HP
Compressor Weight	31 kg (68.2 Lb.)
3GS Oil original charge	1.4 L (49 Oz.)
3GS oil refilling charge	1.25 L (44 Oz.)
Center holes mounting	7.5 x 7.5 in
Required food print	9.5 x 9.5 in
Total height	418mm 16.5 in
Ø Discharge tube	½"
Ø Suction Tube	7/8"

Electrical data	
Max braker protection	15.5A
Locked Rotor Amp. LRA	99A
Voltage range	208 – 230 V AC
Phases	1
Electric supply frequency	50 - 60 HZ
VFD app range	30 - 70 Hz
Run capacitor	
Start capacitor	None
Start relay	None
Crankcase heater	70 W



Frigorific potency in Btuh performance at different conditions in °F								
↓Tc Te→	-13	0	10	20	30	40	50	54
77	17622	24726	31249	38831	47608	57717	69226	74280
80	17281	24350	30805	38352	47061	57068	68508	73495
90	16222	23052	29336	36645	45115	54814	65947	70797
100	15129	21755	27800	34869	43031	52423	63215	67928
110		20389	26229	32991	40846	49930	60312	64888
120			24589	31044	38557	47266	57238	61644
130				28995	36167	44431	54028	58229

Instantaneous potency in W performance at different conditions in °F								
↓Tc Te→	-13	0	10	20	30	40	50	54
77	2031	2165	2232	2280	2317	2355	2403	2427
80	2114	2247	2314	2361	2398	2435	2483	2507
90	2408	2536	2600	2644	2679	2715	2761	2785
100	2739	2861	2920	2961	2992	3024	3067	3089
110		3232	3285	3320	3345	3372	3411	3432
120			3708	3735	3754	3774	3806	3825
130				4218	4228	4240	4264	4280

Current consumption in Ampere							
-13	0	10	20	30	40	50	54
3.96	4.09	4.16	4.21	4.24	4.28	4.33	4.36
4.03	4.17	4.24	4.29	4.32	4.36	4.41	4.44
4.31	4.45	4.52	4.57	4.6	4.64	4.69	4.72
4.64	4.78	4.85	4.89	4.93	4.97	5.02	5.04
	5.18	5.24	5.29	5.32	5.35	5.39	5.42
		5.73	5.76	5.79	5.81	5.85	5.87
			6.33	6.35	6.37	6.39	6.41

Mass flow in Lb/h							
-13	0	10	20	30	40	50	54
99.23	139.51	174.79	214.61	259.96	311.5	370.26	395.9
98.56	138.91	174.24	214.13	259.56	311.19	370.04	395.71
96.37	136.83	172.29	212.33	257.94	309.77	368.85	394.63
94.19	134.62	170.08	210.15	255.81	307.73	366.92	392.75
	132.21	167.55	207.53	253.12	305	364.18	390.01
		164.62	204.38	249.79	301.5	360.55	386.33
			200.65	245.74	297.18	355.97	381.66