

# TECHNICAL DATASHEET: YH183C7

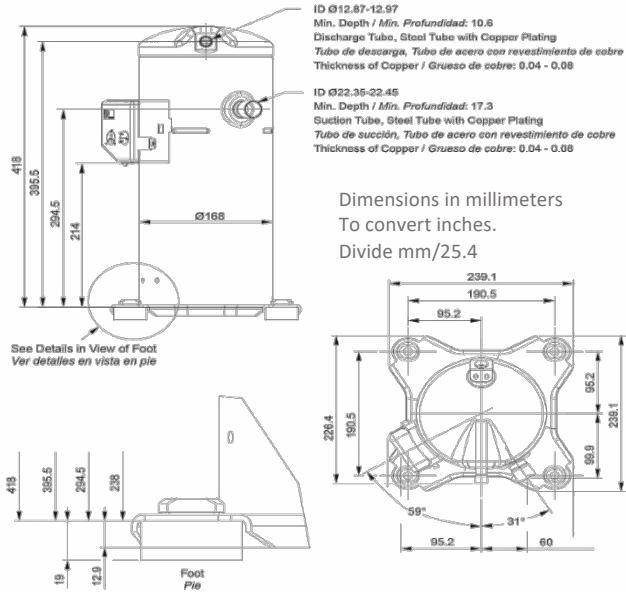
TEST CONDITION AHRI-540-2020   HIGH TEMPERATURE/AIR CONDITINING/CHILLERS						REFRIGERANT	59	TOLERANCE
Units	Te	Tc	SH	SC	Tret.	R410A	208-230V /3PH/50-60Hz	± 10%
Imperial °F	45	130	20	15	65			

NOMINAL TEST CONDITION PARAMETERS	Value	Imperial	Value	International	Comments
Frigorific potency	75783	Btuh	22,224	Watt	
Instant energy consumption	7051	Watt	7,051	Watt	
Efficiency   BTUh/W (EER)   W/W (COP)	10.75	Btuh/W	3.15	W/W	
Nominal current consumption	22.64	A	22.64	A	
Nominal Displacement	4.35	In/Rev	71.3	Cm <sup>2</sup> /Rev.	
Total heat rejection	99,827	Btuh	29,275	Watt	

Mechanical data	
Displacement at 3500 RPM	6.11 CFM
Commercial Horsepower	6.5HP
Compressor Weight	31 kg (68.2 Lb.)
3GS Oil original charge	1.4 L (49 Oz.)
3GS oil refilling charge	1.25 L (44 Oz.)
Center holes mounting	7.5 x 7.5 in
Required food print	9.5 x 9.5 in
Total height	418mm 16.5 in
Ø Discharge tube	½"
Ø Suction Tube	7/8"

Electrical data	
Max braker protection	15.5A
Locked Rotor Amp. LRA	99A
Voltage range	208 – 230 V AC
Phases	1
Electric supply frequency	50 - 60 HZ
VFD app range	30 - 70 Hz
Run capacitor	
Start capacitor	None
Start relay	None
Crankcase heater	70 W



Frigorific potency in Btuh performance at different conditions in °F								
↓Tc   Te→	-13	0	10	20	30	40	50	54
77	29985	42246	52867	65127	79574	96786	117311	126567
80	29131	41290	51774	63830	78071	94942	115126	124210
90	26502	38455	48564	60005	73426	89307	108295	116867
100	24009	35825	45593	56521	69192	84150	102011	110071
110		33093	42587	53072	65093	79198	96001	103582
120			39309	49349	60824	74144	89956	97059
130				45149	56043	68679	83569	90263

Current consumption in Ampere								
-13	0	10	20	30	40	50	54	
14.89	14.9	14.81	14.74	14.76	14.97	15.45	15.73	
15.16	15.11	14.96	14.82	14.77	14.88	15.26	15.5	
16.35	16.19	15.92	15.62	15.36	15.24	15.33	15.45	
17.89	17.74	17.43	17.05	16.69	16.41	16.32	16.35	
	19.52	19.27	18.91	18.52	18.19	17.99	17.98	
		21.24	20.99	20.66	20.36	20.16	20.13	
			23.06	22.89	22.71	22.59	22.58	

Instantaneous potency in W performance at different conditions in °F								
↓Tc   Te→	-13	0	10	20	30	40	50	54
77	3649	3624	3602	3591	3602	3645	3734	3784
80	3828	3795	3766	3747	3749	3783	3862	3908
90	4438	4377	4326	4282	4258	4264	4312	4346
100	5093	5009	4937	4871	4823	4803	4824	4846
110		5719	5629	5544	5474	5431	5426	5437
120			6436	6333	6244	6180	6153	6154
130				7268	7163	7080	7032	7025

Mass flow in Lb/h								
-13	0	10	20	30	40	50	54	
157.62	223.47	275.91	334.71	404.63	489.92	595.43	644.18	
153.92	219.85	271.97	330.14	399.08	483.07	586.95	634.96	
145.53	212.75	264.61	321.41	387.9	468.36	567.59	613.44	
140.02	210.1	262.89	319.54	384.78	462.89	558.68	602.85	
	207.82	262.76	320.45	385.64	462.61	556.17	599.14	
		260.12	320.06	386.41	463.44	555.97	598.21	
			314.3	383.01	461.3	554	596.01	