

TECHNICAL DATASHEET: YH69A3

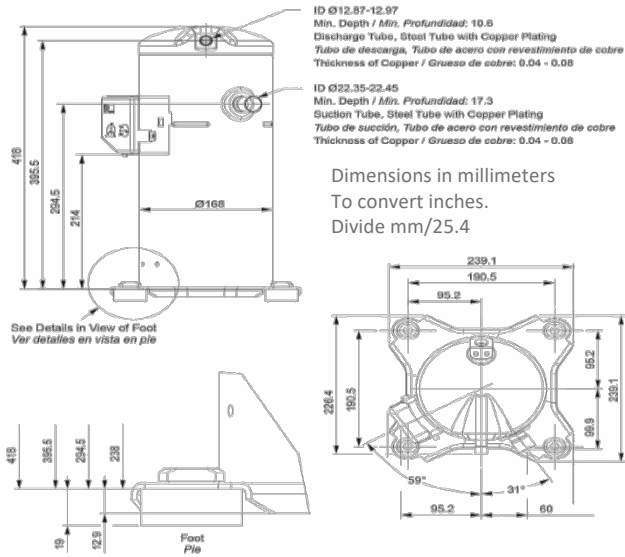
Archivo	Revisión	Elaboro	Hoja
YH69A3_TDS	03/2023	RGE	1

TEST CONDITION AHRI-540-2020 HIGH TEMPERATURE/AIR CONDITINING/CHILLERS						R-22	460V /3PH/50-60Hz	TOLERANCE ± 10%
Units	Te	Tc	SH	SC	Tret.			
Imperial °F	45	130	20	15	65			

NOMINAL TEST CONDITION PARAMETERS	Value	Imperial	Value	International	Comments
Frigorific potency	28312	Btuh	8,303	Watt	
Instant energy consumption	2661	Watt	2661	Watt	
Efficiency BTUh/W (EER) W/W (COP)	10.64	Btuh/W	3.12	W/W	
Nominal current consumption	12.45	A	12.45	A	
Nominal Displacement	0.01	In/Rev	38.5	Cm³/Rev.	
Total heat rejection	37,386	Btuh	15,286	Watt	

Mechanical data	
Displacement at 3500 RPM	4.76 CFM
Commercial Horsepower	2HP
Compressor Weight	33 kg (72.6 Lb.)
POE Oil original charge	1.4 L (49 Oz.)
POE oil refilling charge	1.25 L (44 Oz.)
Center holes mounting	7.5 x 7.5 in
Required food print	9.5 x 9.5 in
Total height	16.5 in
Ø Discharge tube	½"
Ø Suction Tube	7/8"

Electrical data	
Braker protection MOC	10 A.
Locked Rotor Amp. LRA	45 A.
Voltage range	460 VAC
Phases	3
Electric supply frequency	50 - 60 HZ
VFD app range	35 - 65 Hz
Run capacitor	None
Start capacitor	None
Start relay	None
Crankcase heater	70 W



Frigorific potency in Btuh performance at different conditions in °F								
↓Tc Te→	-13	0	10	20	30	40	50	54
77	10177	14275	18032	22404	27458	33298	39958	42860
80	9972	14036	17793	22130	27151	32922	39514	42417
90	9358	13285	16939	21140	26024	31625	38045	40846
100	10177	14275	18032	22404	27458	33298	39958	42860
110	8743	12534	16051	20115	24828	30258	36474	39172
120		11782	15129	19023	23565	28790	34801	37430
130			14173	17896	22233	27253	33025	35552

Instantaneous potency in W performance at different conditions in °F								
↓Tc Te→	-13	0	10	20	30	40	50	54
77	1323	1403	1444	1472	1495	1518	1546	1561
80	1373	1453	1493	1521	1544	1566	1595	1610
90	1550	1627	1666	1692	1713	1735	1763	1777
100	1749	1823	1859	1883	1902	1921	1947	1961
110		2047	2079	2100	2115	2131	2155	2167
120			2334	2350	2362	2374	2393	2404
130				2641	2647	2655	2669	2679

Current consumption in Ampere							
-13	0	10	20	30	40	50	54
6.32	6.68	6.85	6.97	7.07	7.17	7.3	7.37
6.53	6.89	7.06	7.18	7.28	7.38	7.51	7.58
7.29	7.64	7.81	7.93	8.02	8.12	8.25	8.31
8.18	8.52	8.68	8.79	8.87	8.96	9.08	9.14
	9.54	9.69	9.78	9.85	9.93	10.04	10.1
		10.88	10.96	11.02	11.07	11.16	11.21
			12.35	12.38	12.42	12.49	12.53

Mass flow in Lb/h							
-13	0	10	20	30	40	50	54
8.18	8.52	8.68	8.79	8.87	8.96	9.08	9.14
	9.54	9.69	9.78	9.85	9.93	10.04	10.1
		10.88	10.96	11.02	11.07	11.16	11.21
54.34	77.67	98.13	121.25	147.59	177.54	211.69	226.59
	76.28	96.67	119.74	146.04	175.97	210.11	225.01
		94.98	117.92	144.11	173.95	208.02	222.89
			115.76	141.78	171.46	205.37	220.2