

TECHNICAL DATASHEET: YH89A7

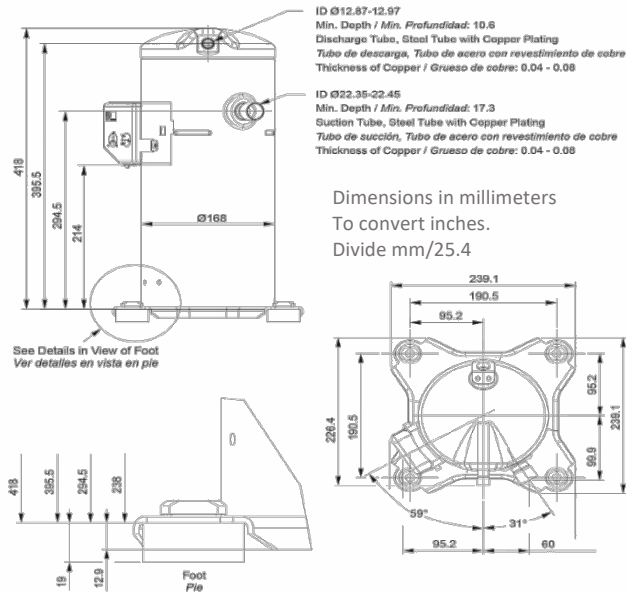
Archivo	Revisión	Elaboro	Hoja
YH89A7_TDS	03/2023	RGE	1

TEST CONDITION AHRI-540-2020 HIGH TEMPERATURE/AIR CONDITINING/CHILLERS						REFRIGERANT	ELECTRIC SUPPLY	TOLERANCE
Units	Te	Tc	SH	SC	Tret.	R-22	208-230V /3PH/50-60Hz	± 10%
Imperial °F	45	130	20	15	65			

NOMINAL TEST CONDITION PARAMETERS	Value	Imperial	Value	International	Comments
Frigorific potency	36611	Btuh	10,736	Watt	
Instant energy consumption	3201	Watt	3,201	Watt	
Efficiency BTUh/W (EER) W/W (COP)	11.44	Btuh/W	3.35	W/W	
Nominal current consumption	10.06	A	10.06	A	
Nominal Displacement	3.01	ln/Rev	49.4	Cm ² /Rev.	
Total heat rejection	47,526	Btuh	13,937	Watt	

Mechanical data	
Displacement at 3500 RPM	6.11 CFM
Commercial Horsepower	3 HP
Compressor Weight	31 kg (68.2 Lb.)
3GS Oil original charge	1.4 L (49 Oz.)
3GS oil refilling charge	1.25 L (44 Oz.)
Center holes mounting	7.5 x 7.5 in
Required food print	9.5 x 9.5 in
Total height	418mm 16.5 in
Ø Discharge tube	½"
Ø Suction Tube	7/8"

Electrical data	
Max braker protection	15.5A
Locked Rotor Amp. LRA	99A
Voltage range	208 – 230 V AC
Phases	1
Electric supply frequency	50 - 60 HZ
VFD app range	30 - 70 Hz
Run capacitor	
Start capacitor	None
Start relay	None
Crankcase heater	70 W



Frigorific potency in Btuh performance at different conditions in °F								
↓Tc Te→	-13	0	10	20	30	40	50	54
77	13148	18442	23326	28995	35552	43065	51672	55428
80	12909	18169	23018	28619	35108	42587	51125	54848
90	12090	17212	21891	27356	33674	40914	49213	52833
100	11304	16222	20764	26024	32137	39138	47164	50681
110		15232	19569	24623	30498	37260	45012	48427
120			18340	23155	28790	35279	42724	46002
130				21652	26980	33161	40333	43441

Instantaneous potency in W performance at different conditions in °F								
↓Tc Te→	-13	0	10	20	30	40	50	54
77	1530	1631	1681	1717	1745	1773	1809	1828
80	1592	1692	1743	1778	1806	1834	1870	1888
90	1813	1910	1958	1992	2018	2044	2079	2097
100	2063	2155	2200	2230	2253	2277	2310	2327
110		2434	2474	2500	2520	2540	2569	2584
120			2793	2813	2827	2843	2867	2881
130				3177	3184	3193	3212	3223

Current consumption in Ampere								
-13	0	10	20	30	40	50	54	
6.24	6.46	6.56	6.64	6.69	6.76	6.84	6.88	
6.36	6.58	6.69	6.76	6.82	6.88	6.96	7	
6.8	7.02	7.13	7.2	7.26	7.32	7.4	7.45	
7.32	7.54	7.65	7.72	7.77	7.83	7.91	7.95	
	8.17	8.27	8.34	8.39	8.44	8.51	8.54	
		9.03	9.09	9.12	9.16	9.22	9.26	
			9.99	10.01	10.04	10.08	10.11	

Mass flow in Lb/h								
-13	0	10	20	30	40	50	54	
74.07	104.14	130.47	160.2	194.05	232.52	276.38	295.52	
73.57	103.69	130.06	159.84	193.75	232.28	276.21	295.38	
71.93	102.14	128.61	158.5	192.54	231.22	275.33	294.57	
70.31	100.49	126.96	156.87	190.95	229.7	273.88	293.16	
	98.69	125.07	154.91	188.94	227.67	271.84	291.12	
		122.88	152.56	186.45	225.06	269.13	288.38	
			149.77	183.44	221.83	265.71	284.89	