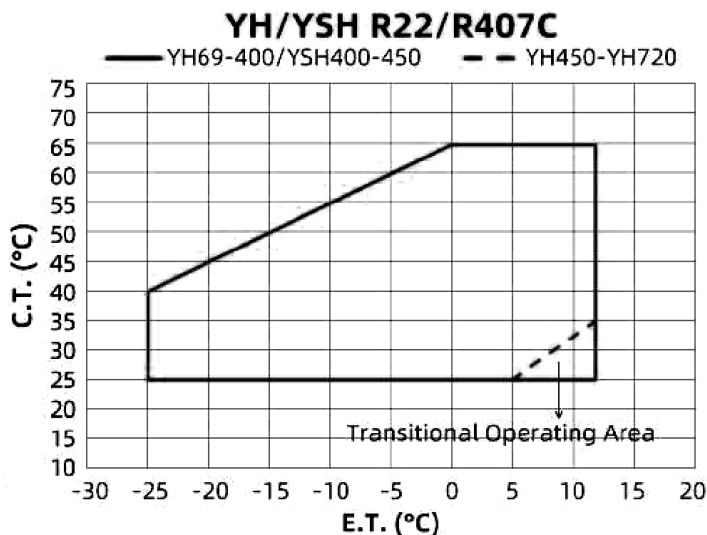


Basic Specification	
Model	YH175T1-100
Type	Scroll Compressor
Application	Air conditioning
Normal Power (HP)	6 HP
Capacity (BTU/Hr)	69362
Refrigerant	R407C
Displacement (M ³ /H)	20.3
Evaporating Temperature (°F)	45.0
Condensing Temperature (°F)	129.9
Liquid subcooling (°F)	14.9
Suction Superheat (°F)	20.0
Power Input (W)	6184
COP	11.22
Current (A)	9.27

Mechanical and Physical Data	
Length/Width/Height (mm)	239/239/463
Weight (kg)	33
Stub Suction (inch)	7/8
Stub Discharge (inch)	1/2
Base mounting (hole dia)	190X190(8.5)
Oil type	POE
Initial charge of oil quantity (L)	1.6
Recharge of oil quantity (L)	1.45
High Side PS Max., (MPa)	3.0
Low Side PS Max., (MPa)	2.0

21379	30702	39275	49247	60790	74075	89307	95967
	28824	37055	46617	57717	70523	85209	91629
		34732	43851	54472	66733	80871	87053
			40982	51091	62771	76295	82238
				47505	58604	71480	77149
					54677	66938	72333
24897	34903	44158	54848	67279	81520	97811	

Compressor Operating Envelope



Suction Superheat: 20.0

Liquid subcooling: 14.9

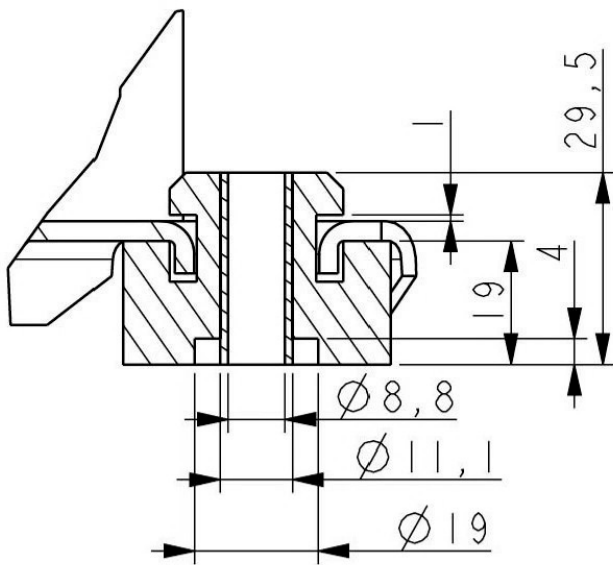
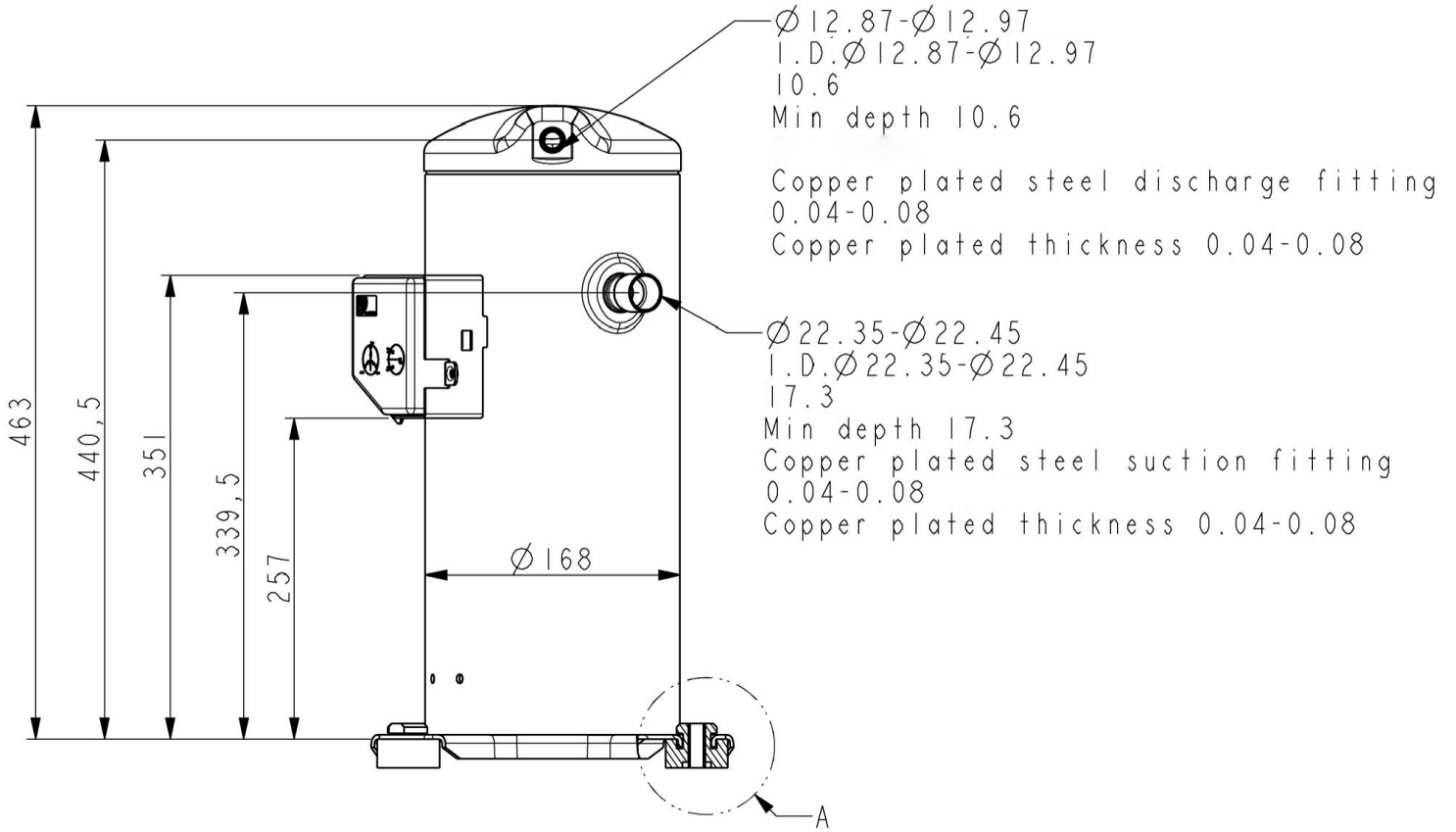
Capacity (BTU/h)								
Tc/Te	-13	0	10	20	30	40	50	54
100	21379	30702	39275	49247	60790	74075	89307	95967
110		28824	37055	46617	57717	70523	85209	91629
120			34732	43851	54472	66733	80871	87053
130				40982	51091	62771	76295	82238
140					47505	58604	71480	77149
149						54677	66938	72333
77	24897	34903	44158	54848	67279	81520	97811	104914
80	24419	34391	43544	54165	66459	80598	96752	103821
90	22882	32581	41460	51774	63727	77422	93166	100031

Power Input (W)								
Tc/Te	-13	0	10	20	30	40	50	54
100	3989	4168	4254	4312	4357	4404	4467	4500
110		4708	4786	4836	4873	4912	4968	4998
120			5402	5441	5468	5498	5544	5571
130				6144	6158	6176	6211	6234
140					6964	6967	6989	7006
149						7788	7796	7807
77	2959	3154	3252	3320	3375	3430	3499	3535
80	3080	3273	3370	3438	3492	3547	3616	3652
90	3507	3695	3787	3852	3903	3954	4022	4056

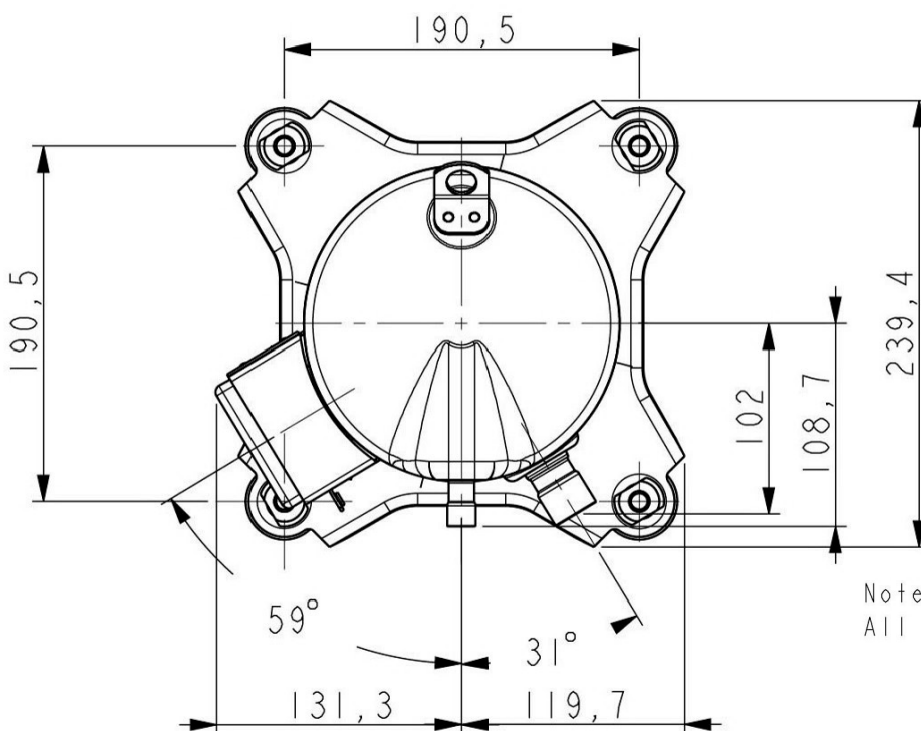
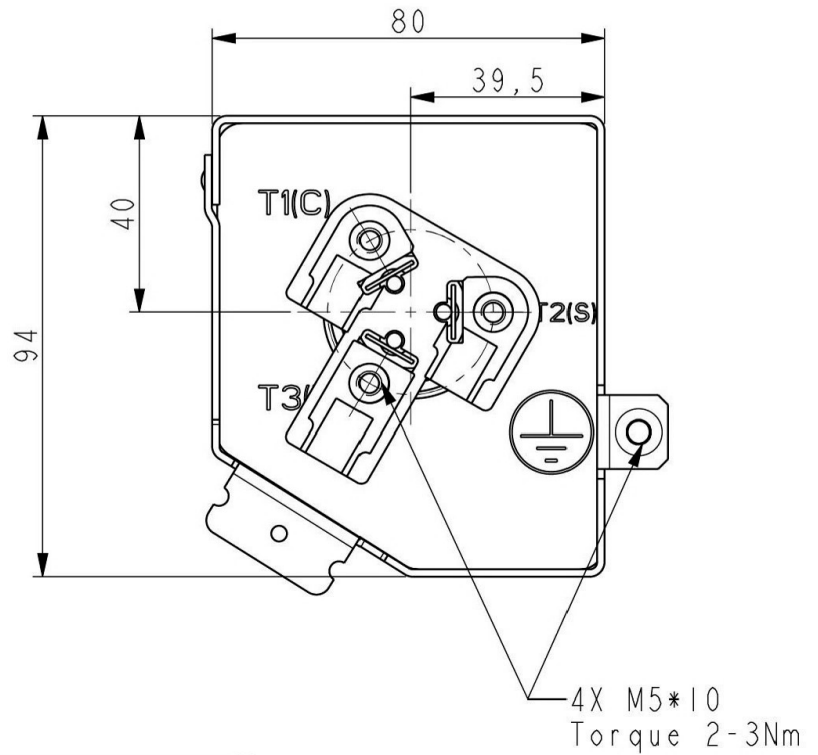
Current (A)								
Tc/Te	-13	0	10	20	30	40	50	54
100	6.76	6.96	7.06	7.12	7.17	7.23	7.3	7.34
110		7.54	7.63	7.69	7.74	7.78	7.85	7.88
120			8.33	8.38	8.42	8.45	8.51	8.54
130				9.22	9.24	9.26	9.3	9.33
140					10.23	10.23	10.26	10.27
149						11.27	11.27	11.28
77	5.76	5.96	6.06	6.12	6.18	6.23	6.31	6.35
80	5.87	6.07	6.17	6.24	6.29	6.35	6.42	6.46
90	6.27	6.48	6.58	6.64	6.7	6.76	6.83	6.87

Mass Flow (Kg/h)								
Tc/Te	-13	0	10	20	30	40	50	54
100	125.23	186.39	239.48	299.03	366.47	442.79	529.49	567.25
110		182.6	235.64	295.13	362.51	438.76	525.38	563.11
120			231.21	290.46	357.6	433.6	519.96	557.58
130				284.93	351.65	427.22	513.14	550.58
140					344.52	419.48	504.79	541.98
149						411.3	495.89	532.8
77	133.78	194.16	246.68	305.67	372.58	448.38	534.59	572.16
80	132.64	193.19	245.84	304.95	371.98	447.91	534.24	571.85
90	128.92	189.89	242.85	302.27	369.59	445.81	532.41	570.13

Drawings
Outline Drawing



Detail A: Compressor Foot



ALL TOLERANCES UNLESS OTHERWISE SPECIFIED: ± 2

TUBE ENDS MUST BE PLUGGED

Notes:
All Tolerance unless other specified ± 2

Application
» See Details in the YH serial air-condition scroll compressor application manual