

Basic Specification	
Model	YH266T1-100
Type	Scroll Compressor
Application	Air conditioning
Normal Power (HP)	9 HP
Capacity (BTU/Hr)	106273
Refrigerant	R407C
Displacement (M <sup>3</sup> /H)	29.6
Evaporating Temperature (°F)	45.0
Condensing Temperature (°F)	129.9
Liquid subcooling (°F)	14.9
Suction Superheat (°F)	20.0
Power Input (W)	9378
COP	11.21
Current (A)	14.09

Mechanical and Physical Data	
Length/Width/Height (mm)	260/244/508
Weight (kg)	53
Stub Suction (inch)	1 1/8
Stub Discharge (inch)	7/8
Base mounting (hole dia)	190X190(8.5)
Oil type	POE
Initial charge of oil quantity (L)	2.7
Recharge of oil quantity (L)	2.6
High Side PS Max., (MPa)	3.0
Low Side PS Max., (MPa)	2.0

Electrical Data	
Electricity	460V/60Hz/3P
Standard Conditions	7.2/54.4/11.1/8.3
Normal Power (HP)	9
Normal Capacity (W)	30636
Normal Power input(W)	9336
Normal COP (W/W)	3.28
Normal Current(A)	14.8
Locked Rotor Current(A)	117
Maximum operating current(A)	19.7

Suction Superheat: 20.0

Liquid subcooling: 14.9

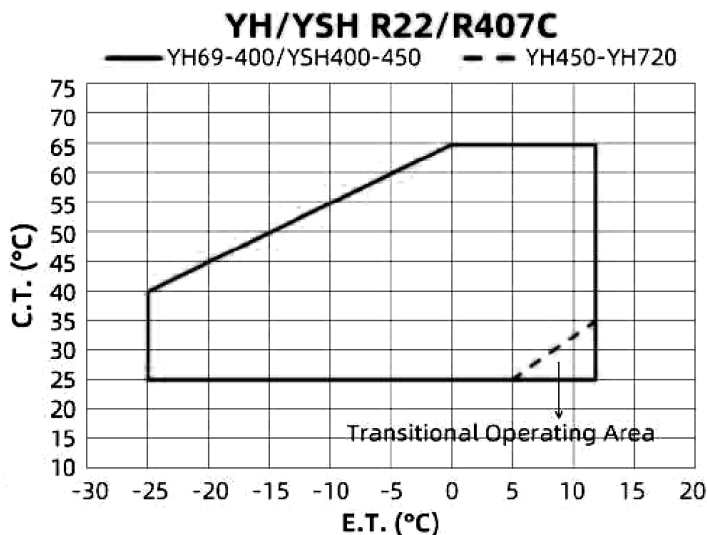
Capacity (BTU/h)								
Tc/Te	-13	0	10	20	30	40	50	54
100	32410	46583	59595	74690	92176	112325	135412	145521
110		43714	56180	70694	87531	106929	129230	138964
120			52662	66494	82613	101226	122639	132031
130				62122	77456	95215	115706	124722
140					72060	88897	108398	117004
149						82921	101499	109696
77	37738	52935	66938	83194	102011	123595	148321	159113
80	37021	52150	66015	82135	100816	122229	146750	157440
90	34698	49383	62873	78515	96615	117414	141252	151668

Power Input (W)								
Tc/Te	-13	0	10	20	30	40	50	54
100	6050	6320	6451	6539	6608	6678	6774	6824
110		7139	7257	7333	7389	7449	7534	7580
120			8191	8251	8292	8337	8408	8449
130				9317	9339	9366	9419	9453
140					10560	10565	10598	10624
149						11811	11822	11839
77	4487	4782	4931	5035	5118	5201	5307	5360
80	4670	4964	5111	5214	5296	5378	5484	5538
90	5318	5603	5743	5841	5918	5996	6098	6151

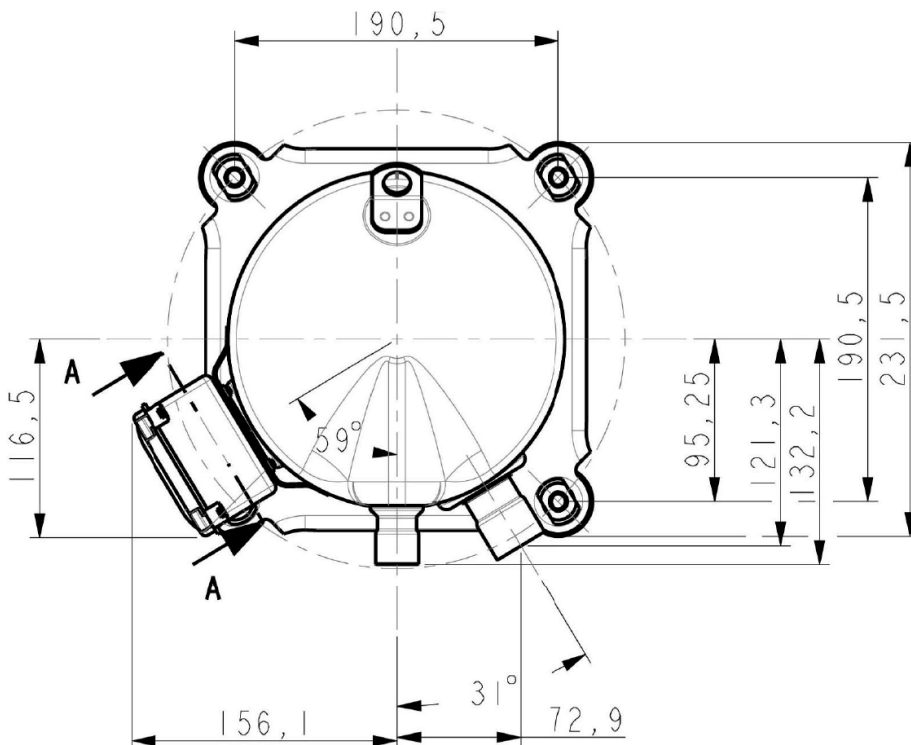
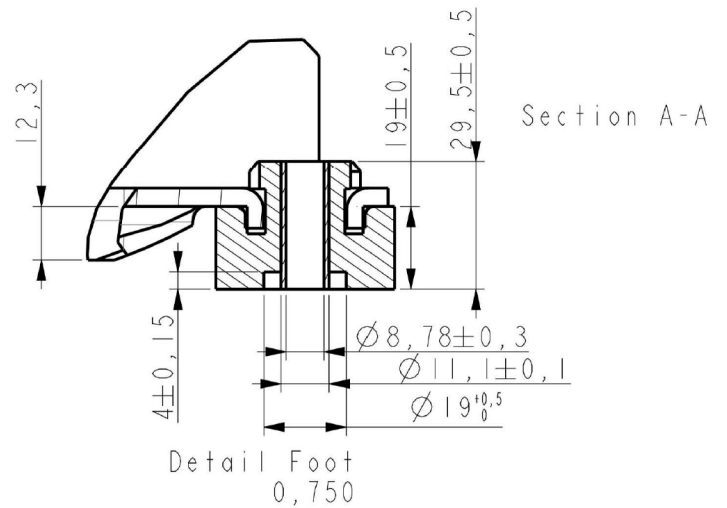
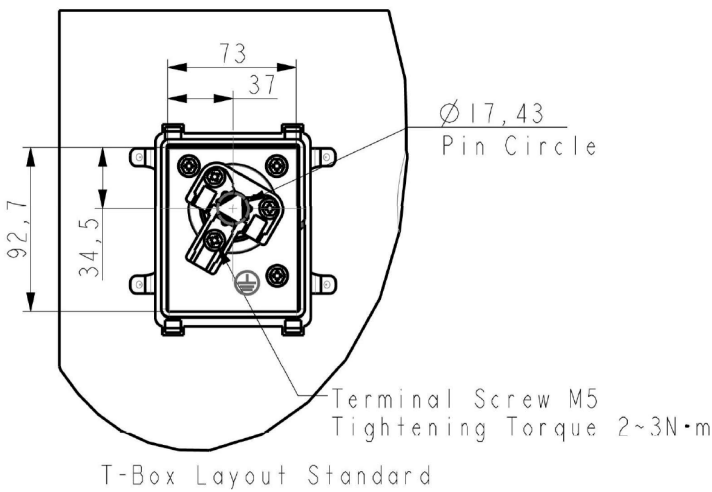
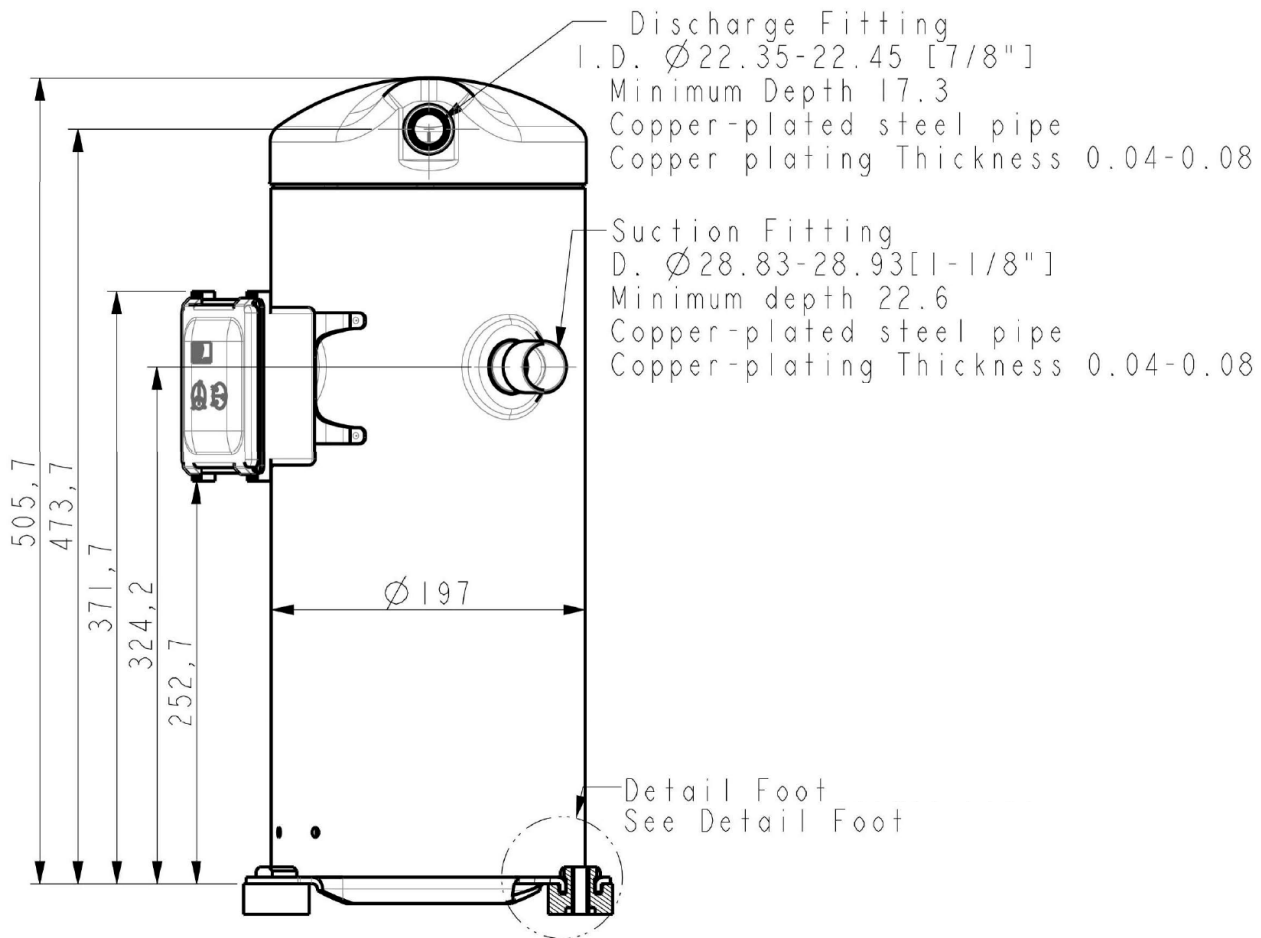
Current (A)								
Tc/Te	-13	0	10	20	30	40	50	54
100	10.27	10.58	10.72	10.82	10.9	10.98	11.09	11.15
110		11.46	11.6	11.69	11.76	11.83	11.93	11.98
120			12.67	12.74	12.8	12.85	12.93	12.98
130				14.01	14.04	14.08	14.14	14.18
140					15.55	15.56	15.59	15.62
149						17.13	17.13	17.15
77	8.75	9.06	9.21	9.31	9.39	9.47	9.59	9.65
80	8.92	9.23	9.38	9.48	9.56	9.65	9.76	9.82
90	9.54	9.84	9.99	10.1	10.18	10.27	10.38	10.44

Mass Flow (Kg/h)								
Tc/Te	-13	0	10	20	30	40	50	54
100	195.23	285.6	364.87	454.44	556.49	672.54	804.84	862.58
110		280.21	359.21	448.57	550.49	666.44	798.72	856.46
120			352.65	441.54	543.03	658.63	790.61	848.25
130				433.19	533.99	648.96	780.37	837.8
140					523.17	637.24	767.81	824.92
149						624.83	754.41	811.14
77	206.5	296.53	375.39	464.4	565.77	680.98	812.32	869.63
80	204.99	295.17	374.16	463.33	564.87	680.27	811.82	869.22
90	200.08	290.54	369.8	459.31	561.24	677.1	809.16	866.78

Compressor Operating Envelope



Drawings  
Outline Drawing



ALL TOLERANCES UNLESS OTHERWISE SPECIFIED:  $\pm 2$

TUBE ENDS MUST BE PLUGGED

Application  
» See Details in the YH serial air-condition scroll compressor application manual